

SOLIDWORKS/CREO/CATIA

Course Highlights:

Software download & installation help

Chapter-wise easy to learn 50+ video lectures

Theoretical + practical teaching approach

Chapter-wise exercise in PDF

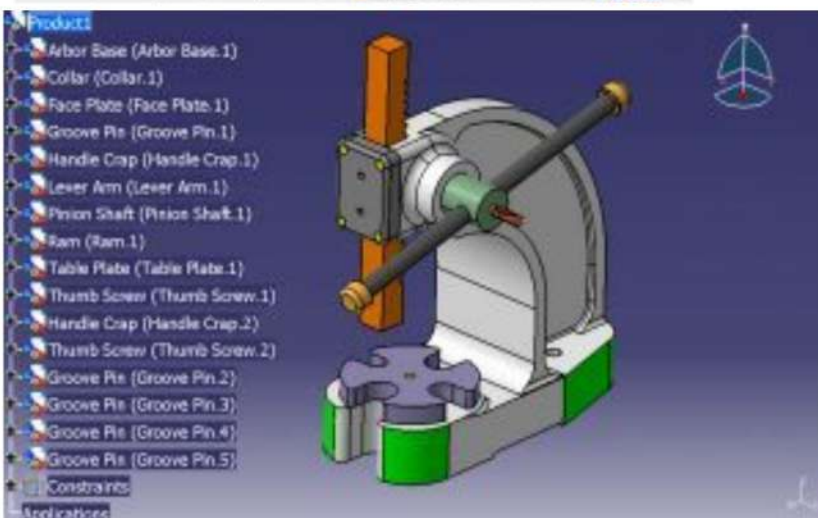
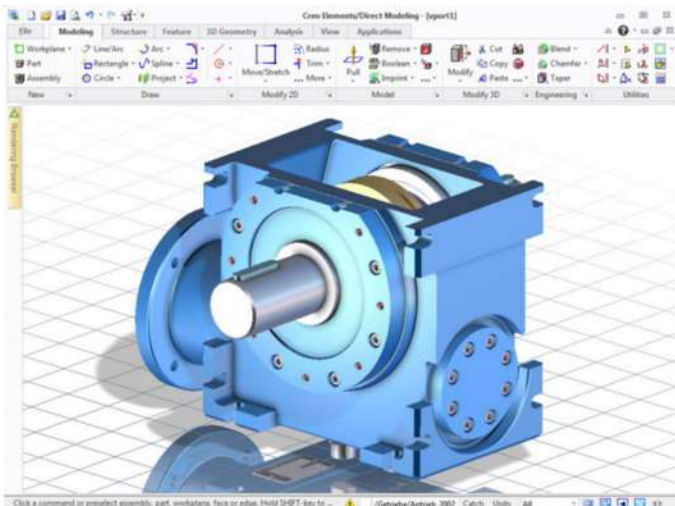
Doubt-solving session every weekend

Industrial drawing practice

Interview questions preparation

Objective test after course completion

After training Certificate of completion will be provided



How to Register for Online Course?

Follow the steps below:

Go to website and fill online form.

Make online payment through QR and share the details.

After payment confirmation, you will be add in the whatsApp group.

Within 30 mins, the course content will be shared with you.

Scan & Pay Using PhonePe App



Prashant Chaudhary